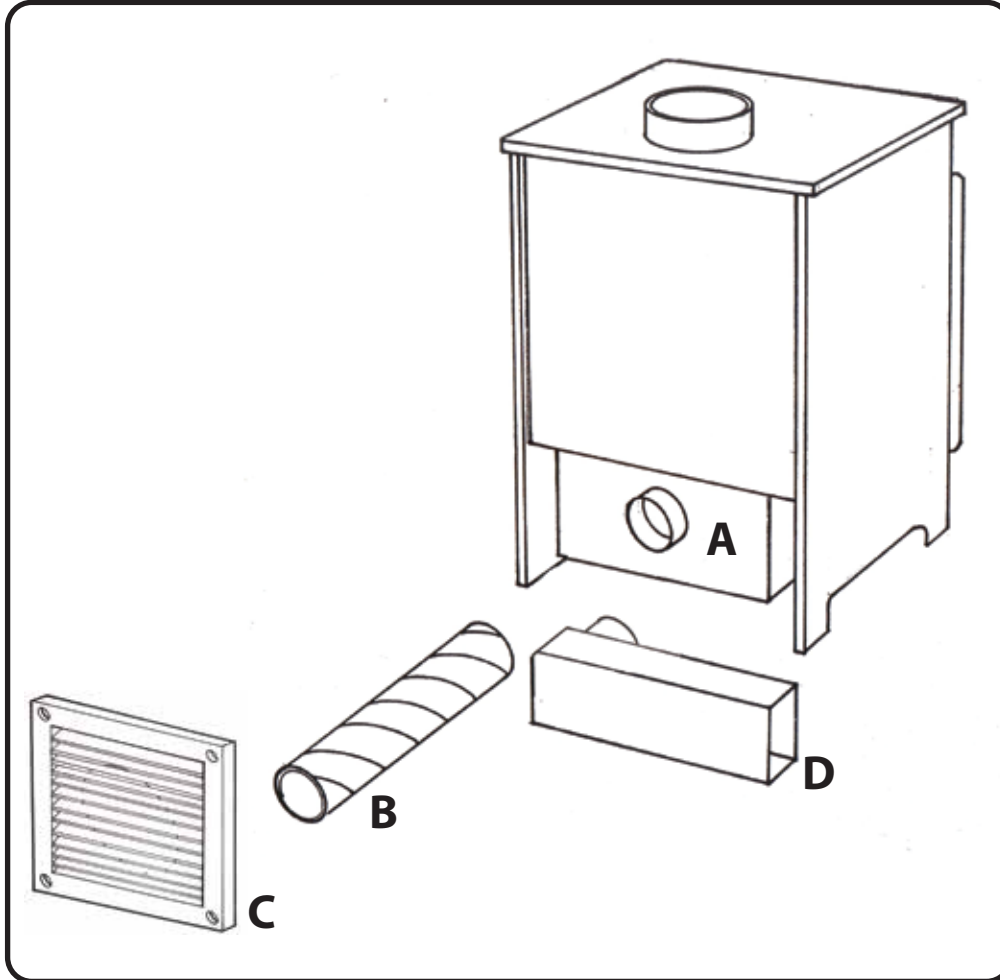


WOOD BURNING STOVES: ROOM SEALING OPTIONS



STANDARD ROOM SEALING KIT

The kit comes with the following parts:

- A Plenum box assembly
- B 1000mm x 80mm steel duct
- C 80mm vent cover

ANGLED ROOM SEALING BOX

The kit comes with the following parts:

- A Plenum box assembly
- D Adaptor box

The adaptor box (D) is designed to fit the flat channel duct system 100 (section 110mm x 54mm). The appropriate parts need to be sourced from a builders' merchant: examples of different angled arrangement are show on the next page

ADDITIONAL ITEMS

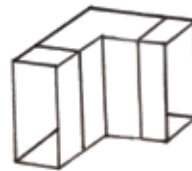
Some of these items may be required and will need to be purchased from a builders' merchant



100mm VENT COVER



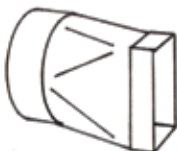
CONNECTOR CHANNEL



VERTICAL 90 DEGREE BEND



ELBOW BEND WITH 100mm SPIGOT



100mm ROUND TO RECTANGLE ADAPTOR



1000mm ROUND DUCT



1000mm FLAT CHANNEL

ROOM SEALING EXAMPLES

The angled room duct exits at 90 degrees to the rear of the fire. This can then be connected to standard flat channel ducts (110mm x 54mm section/available from builders' merchants) to create a path to an outside wall. A maximum of three 90 degree angles may be used.

burley

